

Proportional Directional Valve

Model: 4WRA(E)...2XJ



- ◆ Size 6 and 10
- ◆ Maximum working pressure 315 bar
- ◆ Maximum working flow 42 L/min (size 6)
75 L/min (size 10)

Contents

Function description, sectional drawing	02-03
Models and specifications	04
Functional symbols	05
Technical parameters	05-06
Characteristic curve	06-09
Component size	10-13
Electrical connections	14

Features

- Proportional direction valve with direct operated proportional solenoid
- For subplate mounting
- Control the direction and flow
- Spring centred control spool
- Both valves and proportional amplifiers from the same supplier

Any part of this brochure can not be reproduced, edited, copied and disseminated electronically in any way without authorization of Jiayite Hydraulics company. As the product is in constant development and innovation, the information in this brochure is not specific to the special conditions or applicability of a specific industry, thus Jiayite Hydraulics company is not responsible for any incomplete or inaccurate description generated.



Function description, sectional drawing

The 4WRA(E) valve is a 4/2-way and 4/3-way proportional directional valve with direct operated and subplate mounting. It is actuated by proportional solenoids with central thread and detachable coil. The control of the solenoids can be achieved through external amplifier (4WRA) or internal amplifier (4WRAE).

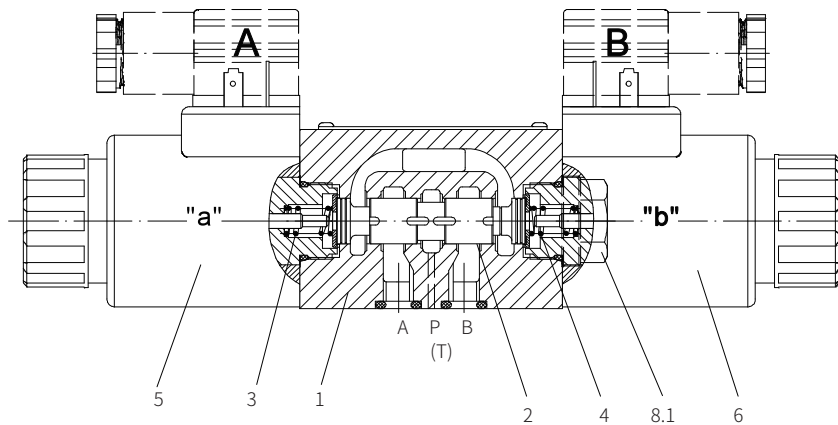
Structure:

The valves consist of:

- Valve body with mounting surface (1)
- Control spool (2) with compression springs (3 and 4)
- Solenoids (5 and 6) with central thread
- Optional amplifier (7)

Operating principle:

- When the solenoids (5 and 6) are de-energized, the compression springs (3 and 4) hold the control spool (2) in the central position.
 - The control spool (2) is pushed to the left in proportion to the electrical input signal.
 - At this time, P to A and B to T are connected through the orifice formed by the spool and the valve body with progressive flow characteristics.
- De-energization of solenoid (6)
 - The control spool (2) is pushed back to the center position by the compression spring (3).



Model 4WRA6...2XJ

Function description, sectional drawing

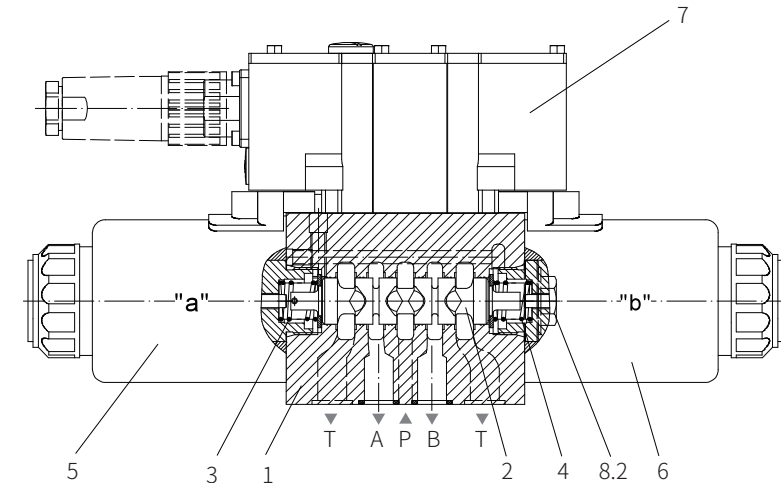
Two Position Valves:

(Model 4WRA...A...)

In principle, the function of this valve is similar to the valve with three-position, but it is installed with solenoid "a" only. A plug (8.1 for NG6 and 8.2 for NG10) is installed instead of the proportional solenoid "b".

Note for model 4WRA- 2XJ/...

It must be avoided to drain all the oil in the return line. If necessary, a back pressure valve is to be installed in the circuit (back pressure about 2 bar).



Model 4WRAE10...2XJ/

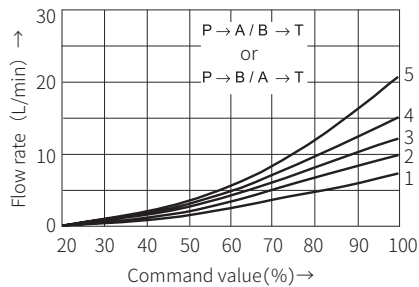
Technical parameters

Electrical			
Size		6	10
Voltage type		DC	
Command value signal voltage input "A1" V		±10	
For 4WRAE current input "F1" mA		4 to 20	
Maximum current per solenoid A		2.5	3.3
Solenoid coil Cold value at 20°C Ω		2	
resistance Maximum warm value Ω		3	
Power rate %		100	
Maximum coil temperature °C		150	
Electrical connection 4WRA		With component plug and plug-in connector to DINEN 175301-803 or ISO4400	
4WRAE		With component plug and plug-in connector to DINEN 175201-804	
Valve protection to EN60529		IP65, plug installed and locked	

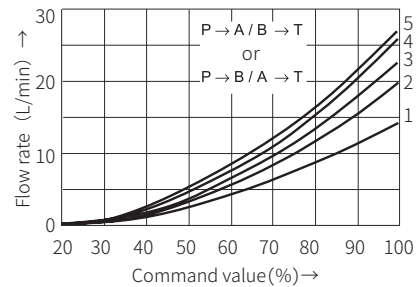
Characteristic curve

Size 6 (measured when using HLP46, $\vartheta_{oil}=40^{\circ}\text{C} \pm 5^{\circ}\text{C}$)

The nominal flow rate 7 L/min at 10 bar valve pressure difference



The nominal flow rate 15 L/min at 10 bar valve pressure difference

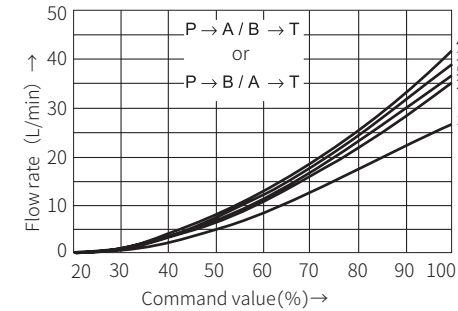


Characteristic curve

(Measured when using HLP46, $\vartheta_{oil}=40^{\circ}\text{C} \pm 5^{\circ}\text{C}$)

Size 6

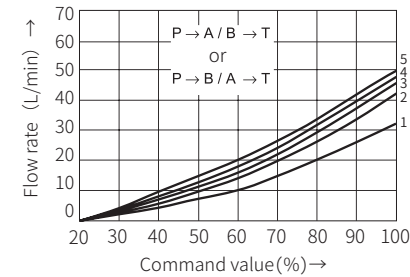
The nominal flow rate 30L/min at 10 bar valve pressure difference



- 1 $\Delta P=10$ bar constant
 - 2 $\Delta P=20$ bar constant
 - 3 $\Delta P=30$ bar constant
 - 4 $\Delta P=50$ bar constant
 - 5 $\Delta P=100$ bar constant
- ΔP = valve pressure difference (inlet pressure P_p minus load pressure P_L and minus return oil pressure P_T)

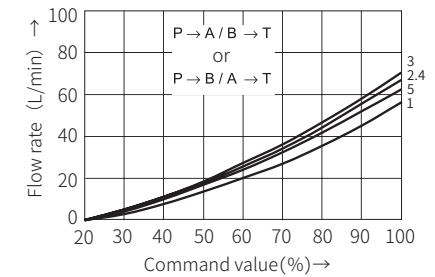
Size 10

The nominal flow rate 30 L/min at 10 bar valve pressure difference



- 1 $\Delta P=10$ bar constant
- 2 $\Delta P=20$ bar constant
- 3 $\Delta P=30$ bar constant
- 4 $\Delta P=50$ bar constant
- 5 $\Delta P=100$ bar constant

The nominal flow rate 60 L/min at 10 bar valve pressure difference

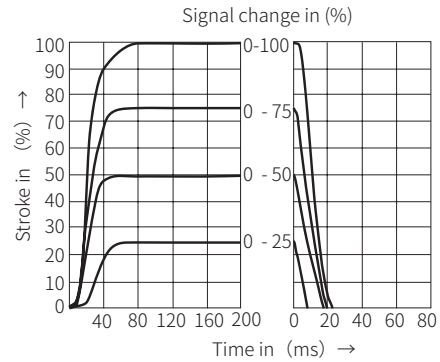


- ΔP = valve pressure difference (inlet pressure P_p minus load pressure P_L and minus return oil pressure P_T)

Characteristic curve

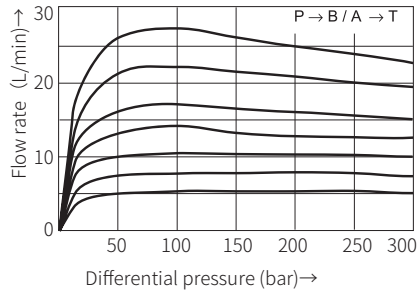
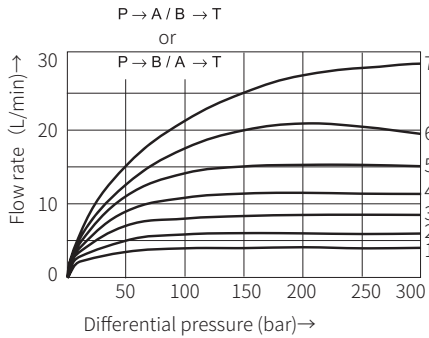
Size 6 (measured when using HLP46, $\vartheta_{oil}=40^{\circ}\text{C} \pm 5^{\circ}\text{C}$)

Transition performance of the valve when the input signal is a step signal

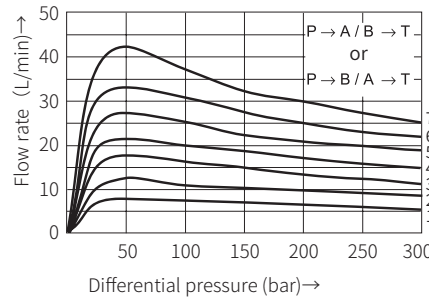


Power limit with a nominal flow rate of 7L/min

Power limit with a nominal flow rate of 15L/min



Power limit with a nominal flow rate of 30L/min

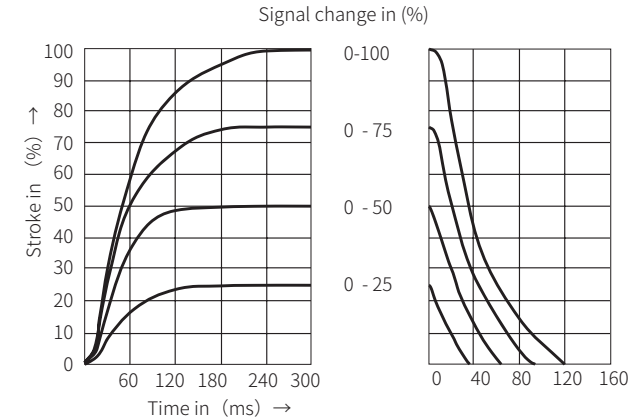


- 1 Command value=40 %
 - 2 Command value=50 %
 - 3 Command value=60 %
 - 4 Command value=70 %
 - 5 Command value=80 %
 - 6 Command value=90 %
 - 7 Command value=100 %
- If the power limit of the valve is exceeded,
the movement of the spool will become unstable

Characteristic curve

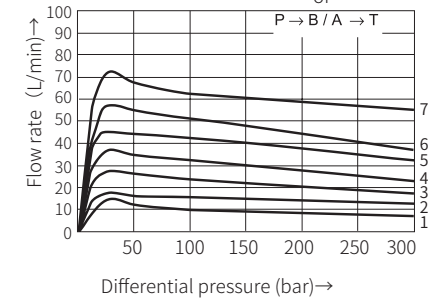
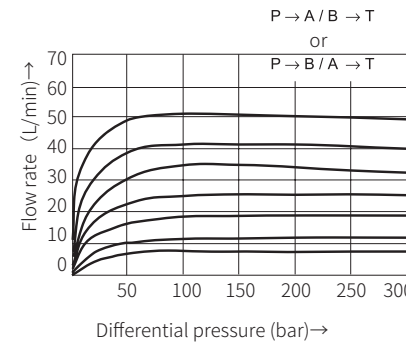
Size 10 (measured when using HLP46, $\vartheta_{oil}=40^{\circ}\text{C} \pm 5^{\circ}\text{C}$)

Transition performance of the valve when the input signal is a step signal



Power limit with a nominal flow rate of 30L/min

Power limit with a nominal flow rate of 60L/min



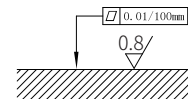
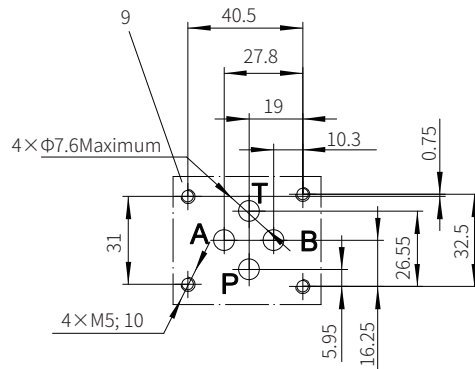
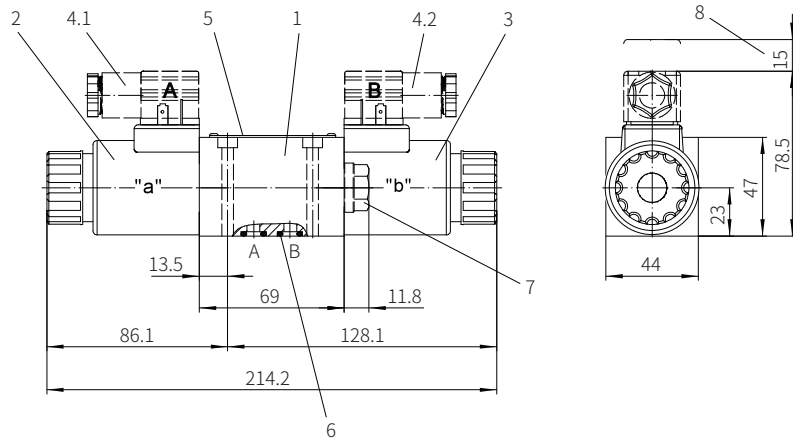
- 1 Command value=40 %
- 2 Command value=50 %
- 3 Command value=60 %
- 4 Command value=70 %
- 5 Command value=80 %
- 6 Command value=90 %
- 7 Command value=100 %

If the power limit of the valve is exceeded,
the movement of the spool will become unstable

Component size

Size unit: mm

Model 4WRA6...-2XJ/...



Required surface finishing of mating components

Valve fixing screw

M5x50-10.9 grade GB/T70.1-2000

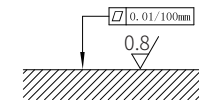
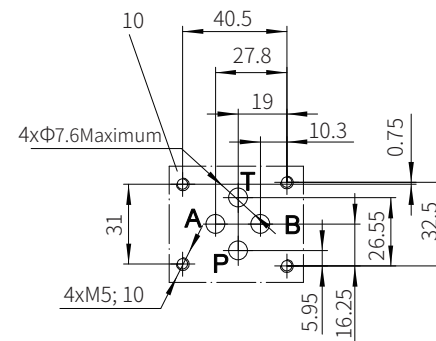
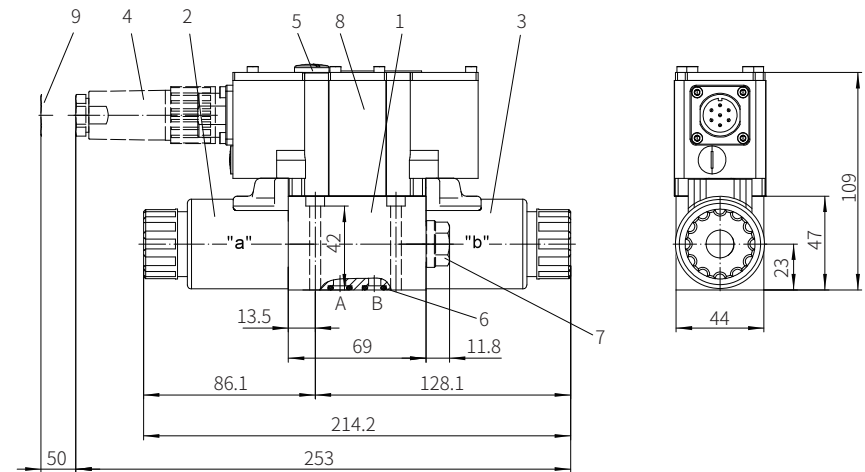
Tightening torque $M_A=7.8\text{Nm}$

- 1 Valve body
- 2 Proportional solenoid "a"
- 3 Proportional solenoid "b"
- 4.1 Grey plug "A"
- 4.2 Black plug "B"
- 5 Name plate
- 6 O-ring 9.25x1.78 (for oil port P, A, B, T)
- 7 Plug for valve with one solenoid
(Two-position valve, symbol EA or WA)
- 8 Space required to remove the plug
- 9 Valve connection surface

Component size

Size unit: mm

Model 4WRAE6...-2XJ/...



Required surface finishing of mating components

Valve fixing screw

M5x50-10.9 grade GB/T70.1-2000

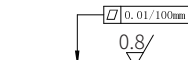
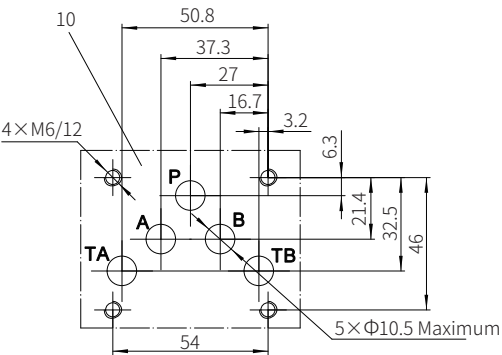
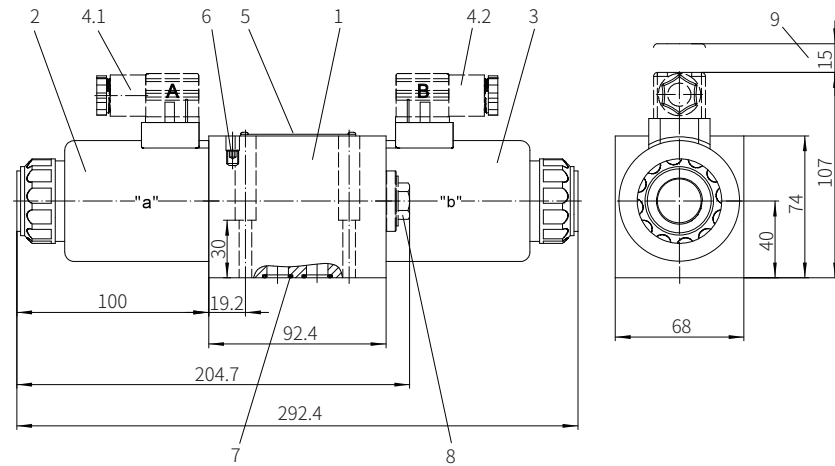
Tightening torque $M_A=7.8\text{Nm}$

- 1 Valve body
- 2 Proportional solenoid "a"
- 3 Proportional solenoid "b"
- 4 Plug
- 5 Name plate
- 6 O-ring 9.25x1.78 (for oil port P, A, B, T)
- 7 Plug for valve with one solenoid
(Two-position valve, symbol EA or WA)
- 8 Space required to remove the plug
- 9 Valve connection surface

Component size

Size unit: mm

Model 4WRA10...-2XJ/...



Required surface finishing of mating components

Valve fixing screw
M6x40-10.9 grade GB/T70.1-2000
Tightening torque $M_A=13.7\text{Nm}$

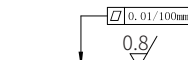
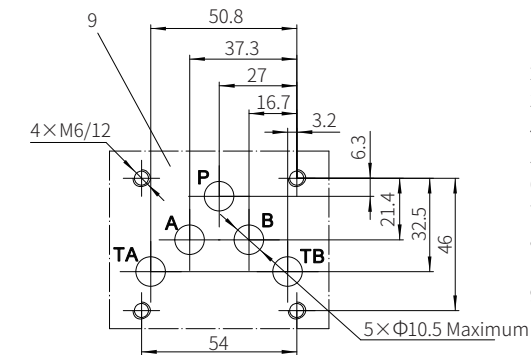
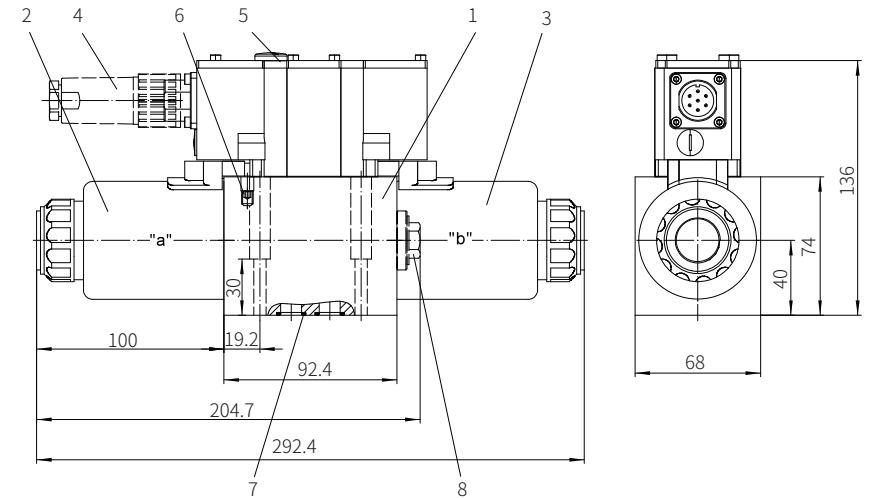
- 1 Valve body
- 2 Proportional solenoid "a"
- 3 Proportional solenoid "b"
- 4.1 Grey plug "A"
- 4.2 Black plug "B"
- 5 Name plate
- 6 Valve bleed screw
- 7 O-ring 12x12 (for oil port P, A, B, T)
- 8 Plug for valve with one solenoid (Two-position valve, symbol EA or WA)
- 9 Space required to remove the plug
- 10 Valve connection surface

0668

Component size

Size unit: mm

Model 4WRAE10...-2XJ/...



Required surface finishing of mating components

Valve fixing screw
M6x40-10.9 grade GB/T70.1-2000
Tightening torque $M_A=13.7\text{Nm}$

- 1 Valve body
- 2 Proportional solenoid "a"
- 3 Proportional solenoid "b"
- 4 Plug
- 5 Name plate
- 6 Valve bleed screw
- 7 O-ring 12x12 (for oil port P, A, B, T)
- 8 Plug for valve with one solenoid (Two-position valve, symbol EA or WA)
- 9 Valve connection surface

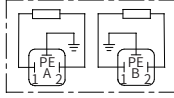
0669

Electrical connections

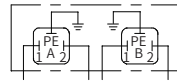
Model 4WRA...2XJ/...(Without built-in amplifier)

Component plug connection form

The plug-in connector to DINEN 175301-803 or ISO4400

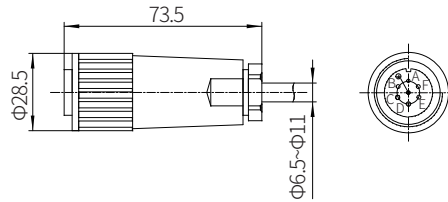


Component plug connection form



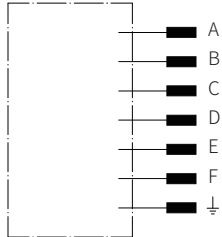
Model 4WRAE...2XJ/...(With built-in amplifier)

The plug-in connector to DINEN 175201-804



Model 4WRAE...(With built-in amplifier)

Terminal identification of plugs



Terminal identification	contact	A1 signal	F1 signal
Supply voltage	A	24VDC(19~35V)	
	B	GND	
	C	no connection ¹⁾	
Differential amplifier input	D	±10V, Re>50K Ω	4~20mA, Re>100 Ω
	E	Reference potential	
	F	no connection ¹⁾	

Command value:

A positive command value 0 to +10V (or 12 to 20mA) at D and E causes a flow from P to A and B to T.

A negative command value 0 to -10V (or 12 to 4mA) at D and E causes a flow from P to B and A to T.

For valves only with one solenoid in side "A" (symbols EA and WA), a positive command value at D and E causes a flow from P to B and A to T.

Connecting cable:

Recommendation:

Cable length up to 25m, model LiYCY 5x0.75mm²

Cable length up to 50m, model LiYCY 5x1.0mm²

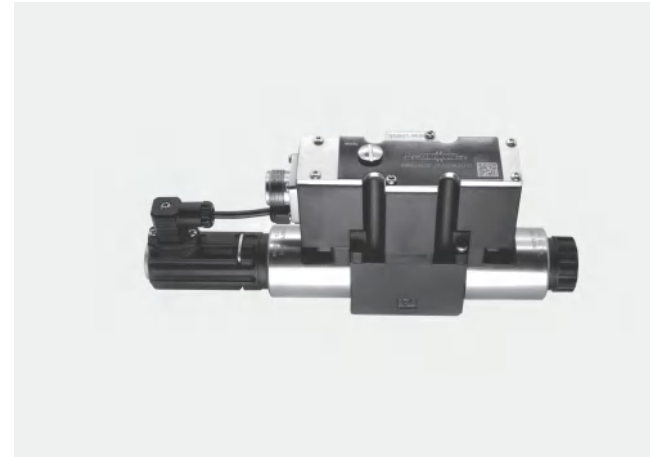
The external diameter of the cable is 6.5 to 11mm

The connection of screen to PE on the supply side only.

¹⁾ Contacts C and F are not allowed to be connected together.

Proportional Directional Valve

Model: 4WRE(E)...2XJ



- ◆ Size 6 and 10
- ◆ Maximum working pressure 315 bar
- ◆ Maximum working flow 80 L/min (size 6)
180 L/min (size 10)

Contents

Function description, sectional drawing	02-03
Functional symbols	03
Models and specifications	04
Technical parameters	05
Characteristic curve	06-11
Component size	12-15
Electrical connections	16-17

Features

- proportional directional valve with direct operated proportional solenoid
- For subplate mounting
- Control the direction and flow
- Spring centred control spool
- Internal amplifier, current input A1 or F1, optional
- Operated by proportional solenoids with thread and detachable coil
- Both valves and proportional amplifiers from the same supplier