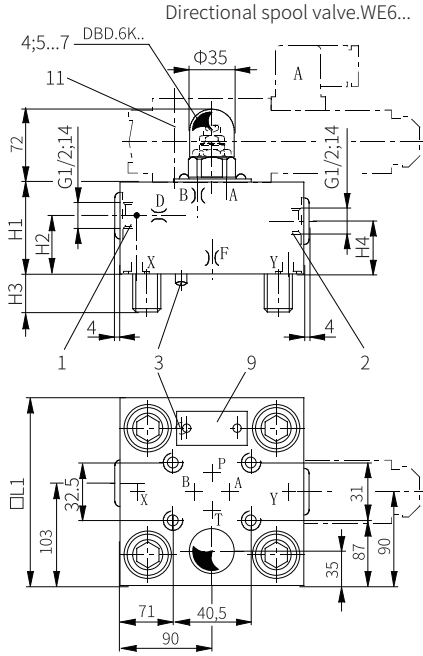


Control cover "DBWD" with manual pressure regulation and isolation function

.. DBWD... type (size 63)



Size	16	25	32	40	50	63
D1				G1/4	G1/2	
H1	40	40	50	60	68	82
H2	19	19	26	46	50	55
H3	15	24	28	32	34	50
H4	19	19	26	27	35	45
H5	28	28	37	16	20	
L1	65	85	100			
□L1				125	140	180
L2	80	85	100			
L3		49	56.5	62.5	70	
L4	32.5	45.5	53	76	84	
L5	35	36	57	68	75	
L6	7	8	31	43.5	51	
L7	17	27	34.5	47	54.5	
T1				12	14	
L8						

Control cover "DBU2A" and "DBU2B" with two manual pressure regulation by electric selection

.. DBU2A...; DBU2B type (size 16 to 63)

LFA [ ] -7X J A... [ ]

control cover

size 16 =16  
size 25 =25  
size 32 =32  
size 40 =40  
size 50 =50  
size 63 =63

control cover type  
De-energized -DB1(4WE.. D) =DBU2A  
De-energized - Open (4WE.. H) =DBU2B  
(See symbols)

adjusting element  
rotary knob =1  
hexagonal sleeve with protective cap =2  
lockable rotary knob with scale =3  
rotary knob with scale =4

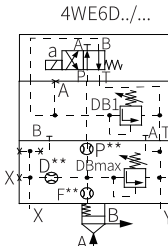
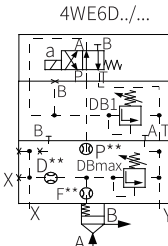
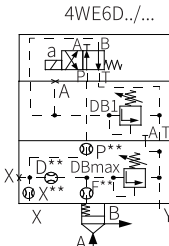
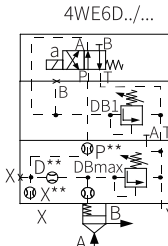
DBmax DB1

No code= sealing material NBR seals  
V= FKM seals (consult for other seals)

Pressure rating  
(Maximum allowable pressure of pilot valve must be considered)

Size 16, 25, 32		Size 40, 50, 63	
025=	2.5MPa	025=	2.5MPa
050=	5MPa	050=	5MPa
100=	10MPa	100=	10MPa
200=	20MPa	200=	20MPa
315=	31.5MPa	315=	31.5MPa
420=	42MPa	400=	40MPa

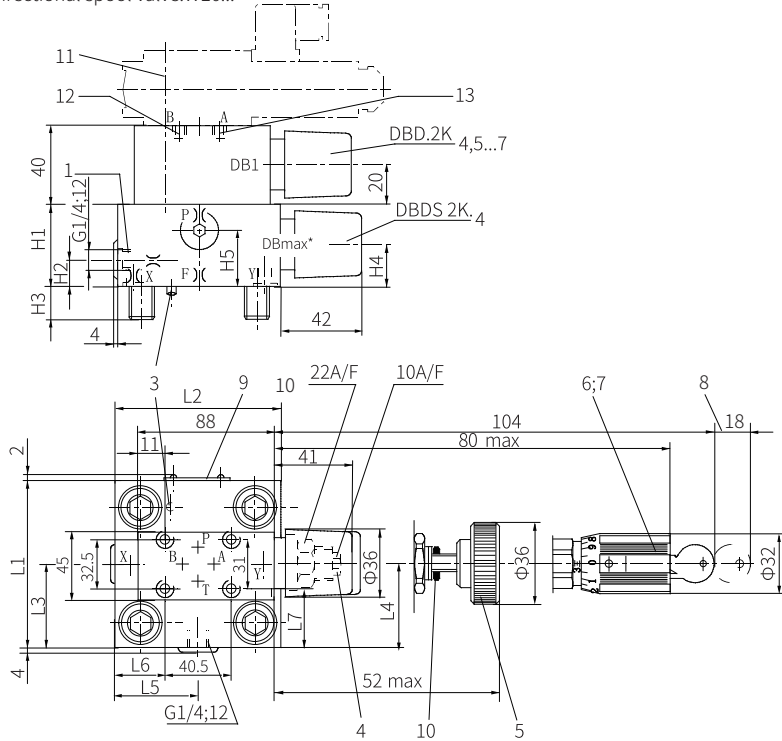
J= Rekith  
7X= 70 to 79 series (70 to 79 series installation and connection size unchanged)



Control cover "DBU2A" and "DBU2B" with two manual pressure regulation by electric selection

..DBU2A...; DBU2B type (size 16 to 32)

Directional spool valve.WE6...



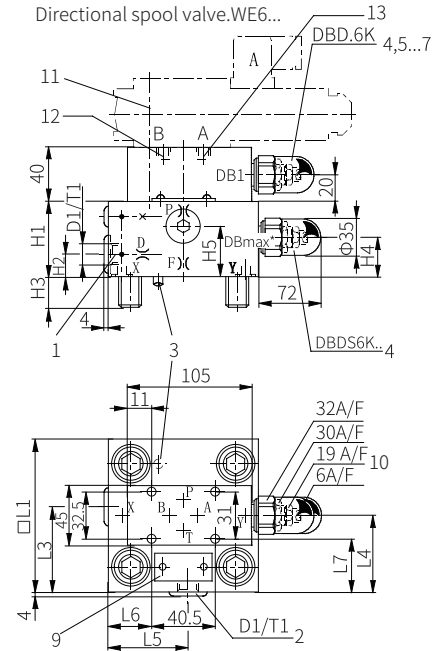
- 1 Optional port X used as threaded hole
- 2 Optional port Y used as threaded hole
- 3 Locating pin
- 4 Adjustment form "2"
- 5 Adjustment form "1"
- 6 Adjustment form "3"
- 7 Adjustment form "4"
- 8 Space required to remove the key
- 9 Name plate
- 10 Locking nut
- 11 Directional spool valve WE6 must be ordered separately
- 12 Plug M6 for .DBU 2A
- 13 Plug M6 for .DBU 2B
- \*) For DBmax only adjustment form "2" is possible

Size	H1	H2	H3	H4	H5	L1	L2	L3	L4	L5	L6	L7	Weight kg
16	40	17	15	19	28	65	80	36.5	32.5	35	7	17	2.8
25	40	19	24	19	28	85	85	49	45.5	36	8	27	3.4
32	50	26	28	26	37	100	100	56.5	53	57	31	34.5	4.8

Control cover "DBU2A" and "DBU2B" with two manual pressure regulation by electric selection

..DBU2A...; DBU2B type (size 40 to 63)

Size 40, 50  
Directional spool valve.WE6...



- 1 Optional port X used as threaded hole
- 2 Optional port Y used as threaded hole
- 3 Locating pin
- 4 Adjustment form "2"
- 5 Adjustment form "1"
- 6 Adjustment form "3"
- 7 Adjustment form "4"
- 8 Space required to remove the key
- 9 Name plate
- 10 Locking nut
- 11 Directional spool valve WE6 must be ordered separately
- 12 Plug M6 for .DBU 2A
- 13 Plug M6 for .DBU 2B
- \*) For DBmax only adjustment form "2" is possible

Size	D1	T1	H1	H2	H3	H4	H5	L1	L3	L4	L5	L6	L7	Weight kg
40	G1/4	12	60	46	32	27	40	125	62.5	76	68	43.5	47	8.2
50	G1/2	14	68	19.5	34	35	50	140	80	84	74.5	51	54.5	11.1
63			82	55	50	45		180						20.4