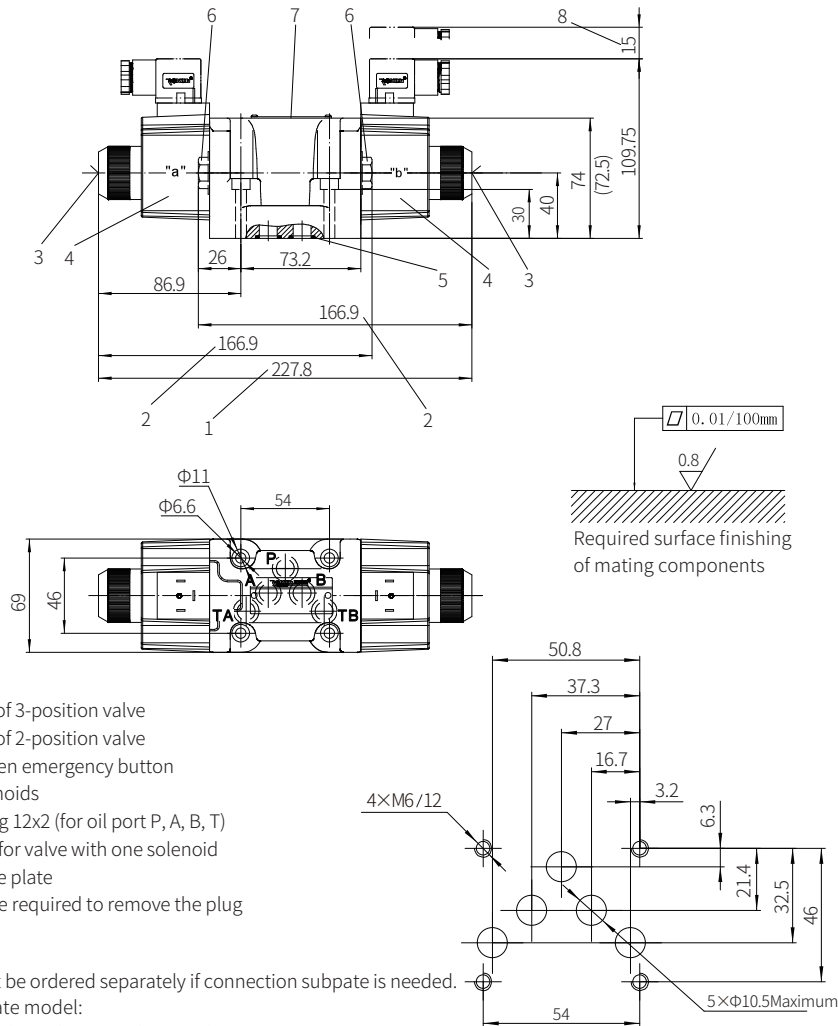


Component size

Size unit: mm

Valve with AC solenoid



1. Size of 3-position valve
2. Size of 2-position valve
3. Hidden emergency button
4. Solenoids
5. O-ring 12x2 (for oil port P, A, B, T)
6. Plug for valve with one solenoid
7. Name plate
8. Space required to remove the plug

It must be ordered separately if connection subplate is needed.

Subplate model:

G66/01 (G3/8"); G66/02(M18x1.5)

G67/01 (G1/2"); G67/02(M22x1.5)

G534/01 (G3/4"); G534/02(M27x2)

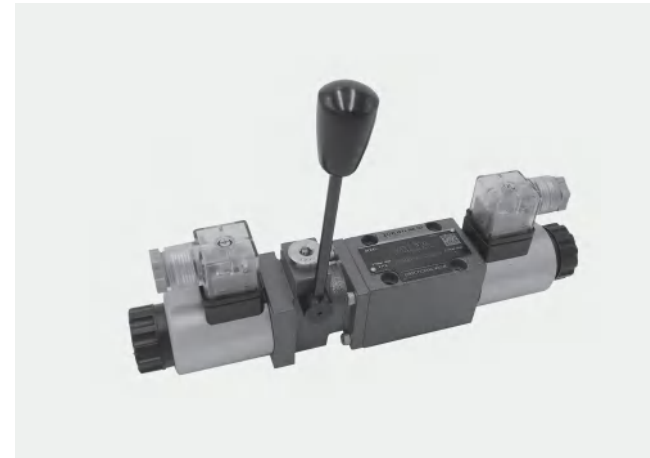
Valve fixing screw

M6x40-10.9 grade GB/T70.1-2000

Tightening torque $M_A=13.7\text{Nm}$

Solenoid Operated Directional Valve with Emergency Handle

Model: 4WEMM6(10).../...



- ◆ Size 6 to 10
- ◆ Maximum working pressure 350 bar
- ◆ Maximum working flow rate 120 L/min

Contents

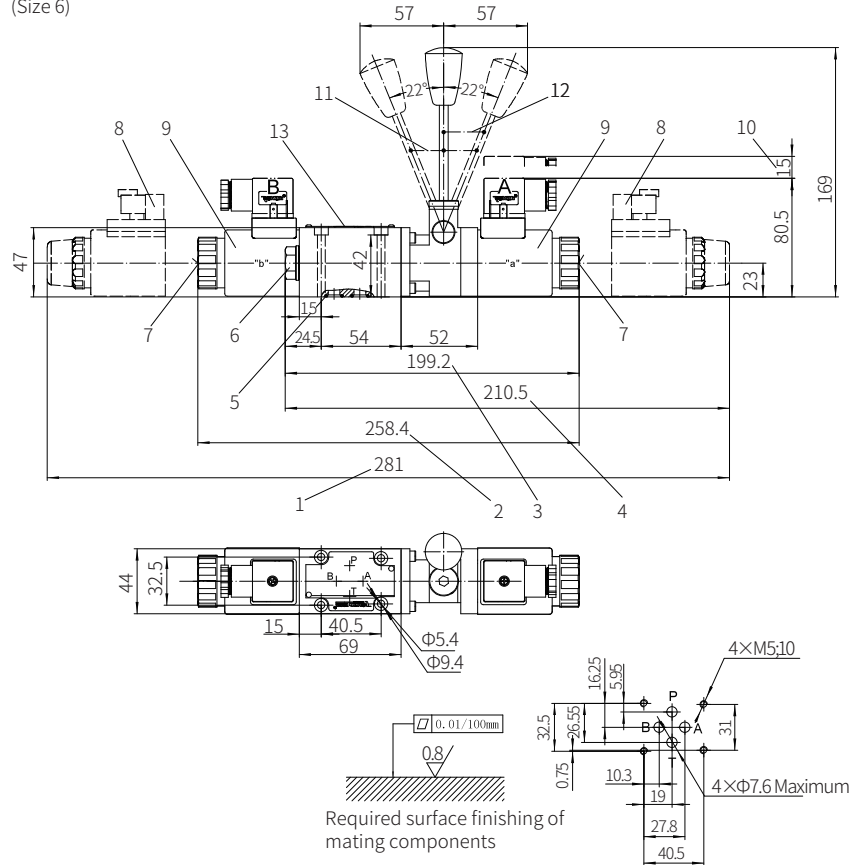
Function description, sectional drawing	02
Models and specifications	02
Technical parameters	03
Functional symbols	03
Component size	04-07

Features

- The opening, closing and direction of the flow controlled by the solenoid and manual
- Wet-pin solenoid with detachable coil
- The solenoid can rotate 90°
- Subplate mounting

Component size

Size unit: mm

 Valve with DC or AC rectified solenoid
 (Size 6)


- 1 Size of 3-position valve (waterproof type)
- 2 Size of 3-position valve
- 3 Size of 2-position valve
- 4 Size of 2-position valve (waterproof type)
- 5 O-ring 9.25x1.78 (for oil ports P, A, B, T)
- 6 Plug for 2-position valve
- 7 Hidden emergency button
- 8 Deutsch plug
- 9 Solenoids
- 10 Space required to remove plug
- 11 Switching position for 3-position valve
- 12 Switching position for 2-position valve

 Valve fixing screw
 M5x50-10.9 grade GB/T70.1-2000
 Tightening torque $M_A=7.8\text{Nm}$

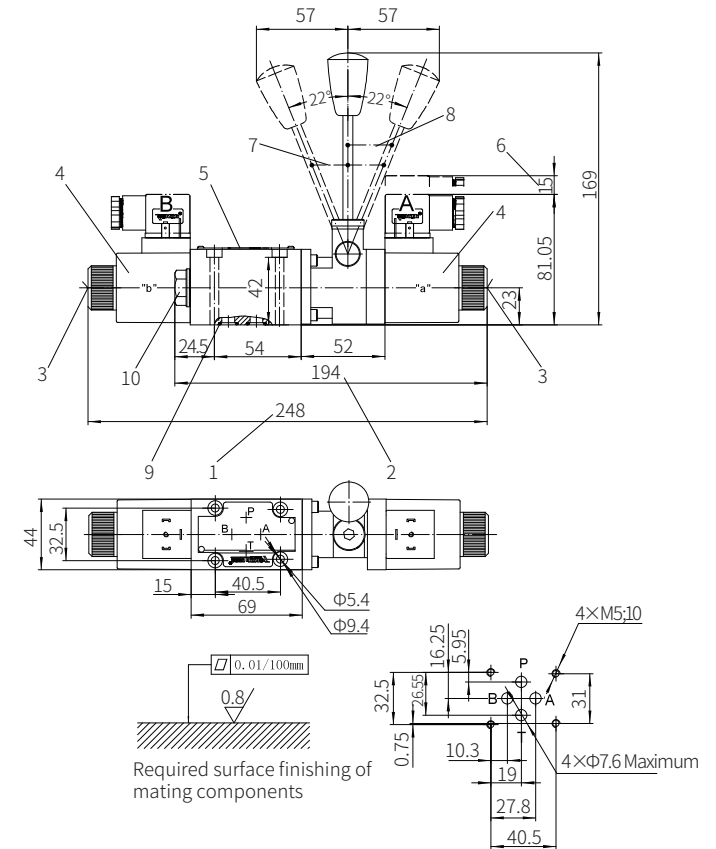
 It must be ordered separately
 if connection subplate is needed.

Subplate model:

 G341/01 (G1/4"); G341/02 (M14x1.5)
 G342/01 (G3/8"); G342/02 (M18x1.5)
 G502/01 (G1/2"); G502/02 (M22x1.5)

Component size

Size unit: mm

 Valve with AC solenoid
 (Size 6)


- 1 Size of 3-position valve
- 2 Size of 2-position valve
- 3 Hidden emergency button
- 4 Solenoids
- 5 Name plate
- 6 Space required to remove plug
- 7 Switching position for 3-position valve
- 8 Switching position for 2-position valve
- 9 O-ring 9.25x1.78 (for oil ports P, A, B, T)
- 10 Plug for 2-position valve

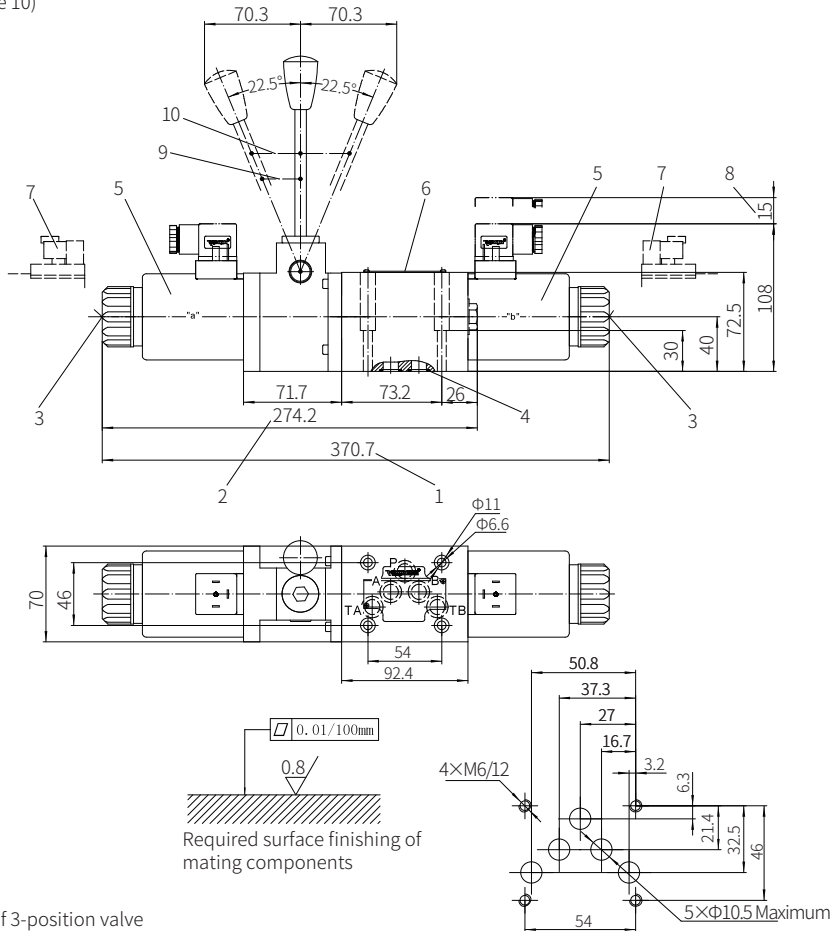
 Valve fixing screw
 M5x50-10.9 grade GB/T70.1-2000
 Tightening torque $M_A=7.8\text{Nm}$

 It must be ordered separately
 if connection subplate is needed.

 Subplate model:
 G341/01 (G1/4"); G341/02 (M14x1.5)
 G342/01 (G3/8"); G342/02 (M18x1.5)
 G502/01 (G1/2"); G502/02 (M22x1.5)

Component size

Size unit: mm

Valve with DC or AC rectified solenoid
(Size 10)

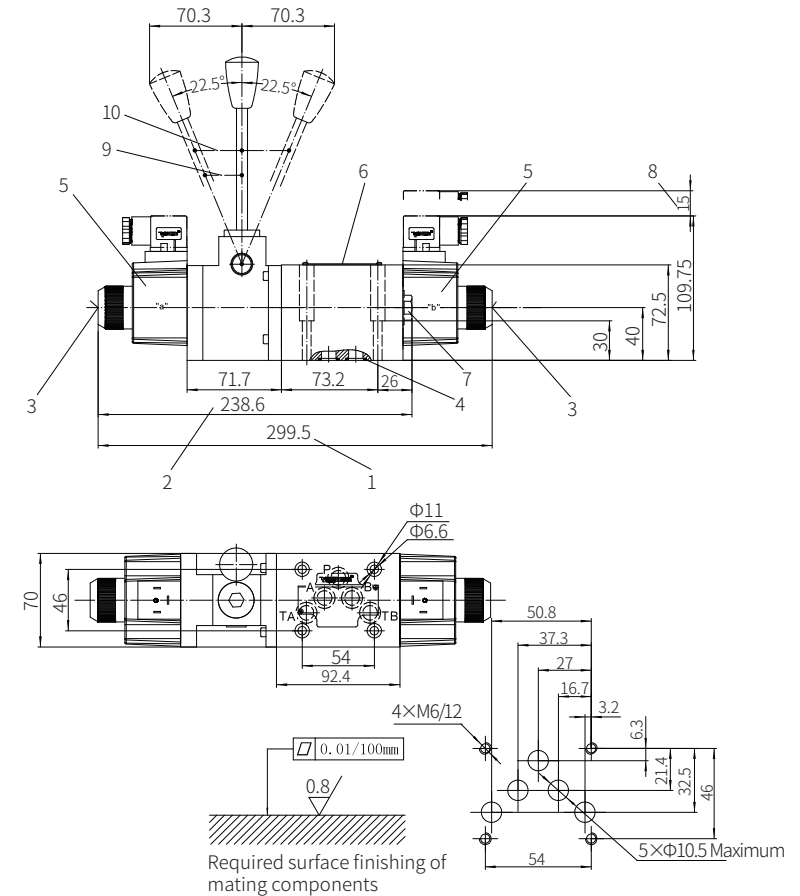
- 1 Size of 3-position valve
- 2 Size of 2-position valve
- 3 Hidden emergency button
- 4 O-ring 12x2 (for oil ports P, A, B, T)
- 5 Solenoids
- 6 Name plate
- 7 Deutsch plug
- 8 Space required to remove plug
- 9 Switching position for 2-position valve
- 10 Switching position for 3-position valve

Valve fixing screw
M6x40-10.9 grade GB/T70.1-2000
Tightening torque $M_A=13.7\text{Nm}$

It must be ordered separately
if connection subplate is needed.
Subplate model:
G66/01 (G3/8"); G66/02 (M18x1.5)
G67/01 (G1/2"); G67/02 (M22x1.5)
G534/01 (G3/4"); G534/02 (M27x2)

Component size

Size unit: mm

Valve with AC solenoid
(Size 10)

- 1 Size of 3-position valve
- 2 Size of 2-position valve
- 3 Hidden emergency button
- 4 O-ring 12x2 (for oil ports P, A, B, T)
- 5 Solenoids
- 6 Name plate
- 7 Deutsch plug
- 8 Space required to remove plug
- 9 Switching position for 2-position valve
- 10 Switching position for 3-position valve

Valve fixing screw
M6x40-10.9 grade GB/T70.1-2000
Tightening torque $M_A=13.7\text{Nm}$

It must be ordered separately
if connection subplate is needed.
Subplate model:
G66/01 (G3/8"); G66/02 (M18x1.5)
G67/01 (G1/2"); G67/02 (M22x1.5)
G534/01 (G3/4"); G534/02 (M27x2)